

Indoor post busbar type current transformers



Indoor current transformer

Type AD12

Type AD24

Cast-resin

Up to 2 cores *

Busbar type

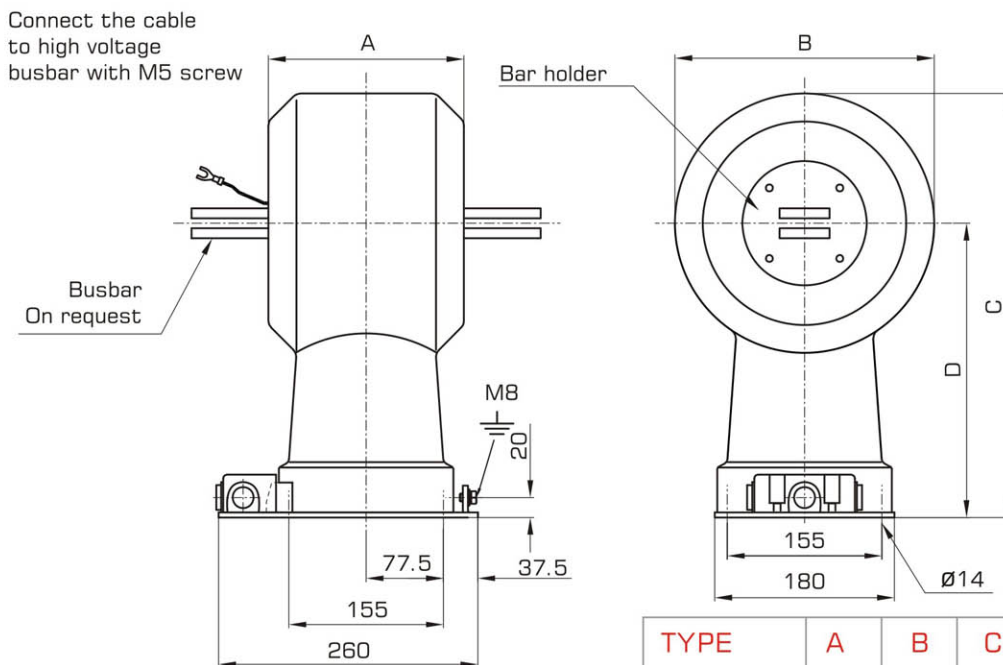
Busbar upon request

Technical Data

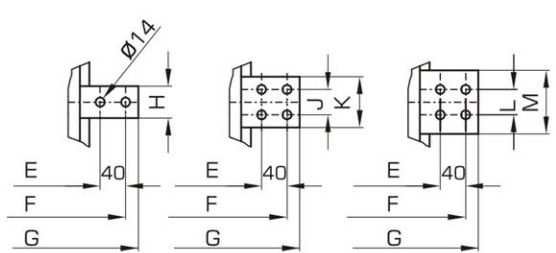
TYPE		AD12	AD24
Operating voltage (maximum)	[kV]	12	24
Rated power-frequency withstand voltage (1 minute)	[kV]	28	50
Rated impulse test voltage (1,2/50 μ s) full wave	[kV]	75	125
Rated frequency	[Hz]	50 - 60	
Primary rated current	[A]	800 - 3000	800 - 4000
Primary reconnection	[A]	-	-
Secondary rated current	[A]	5	1 - 5
Rated short-time thermal current I _{th} (1s)	[kA]	100	
Rated dynamic current I _{dyn}	[kA]	no limit	
Short-time load (mechanical)	[N]	3000	
Insulation class		E	
Ambient temperature	[°C]	-5.....+40	
Altitude	[m]	up to 1000	
Standard		Acc. to customer requirements	
Weight (approx.)	[kg]	18	23

* For more cores please contact your ALCE representative for feasibility.

Indoor post busbar type current transformers

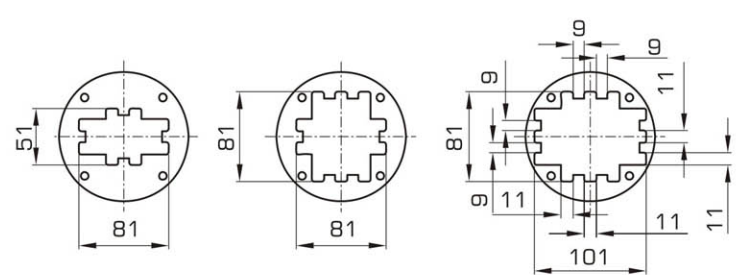


TYPE	A	B	C	D
AD12	176	214	342	235
AD24	196	260	425	295



PRIMARY CONNECTION BUSBARS

TYPE	E	F	G	H	J	K	L	M
AD12	210	290	330	50	40	80	-	-
AD24	230	310	350	50	40	80	50	100



Legend		Tightening torque
Primary terminal	M12	60-70Nm
Ground terminal	M8	16-20Nm
Secondary terminal	M5	2-2,5Nm

BAR HOLDER

Primary current	Busbar
up to 1500 A	2x 50x10
1500 to 2500 A	2x 80x10
2500 to 3000 A	2x 80x10 or 3x 80x10
3000 to 4000 A*	3x 80x10 or 3x 100x10

* Excluding AD12